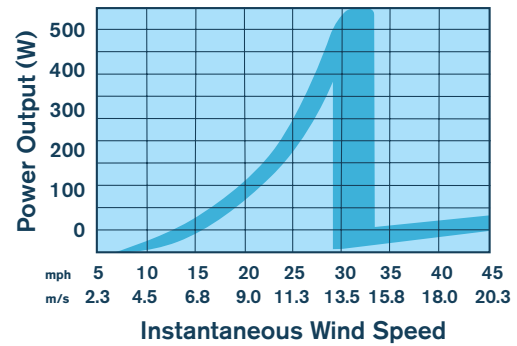


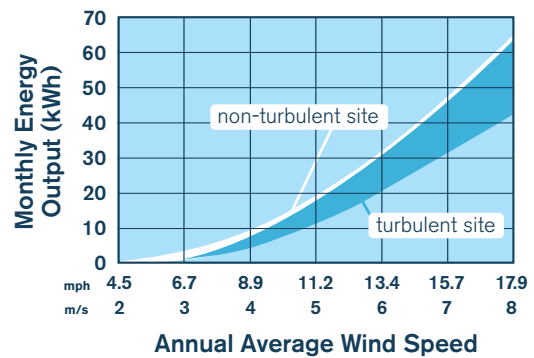


# Air X

## POWER



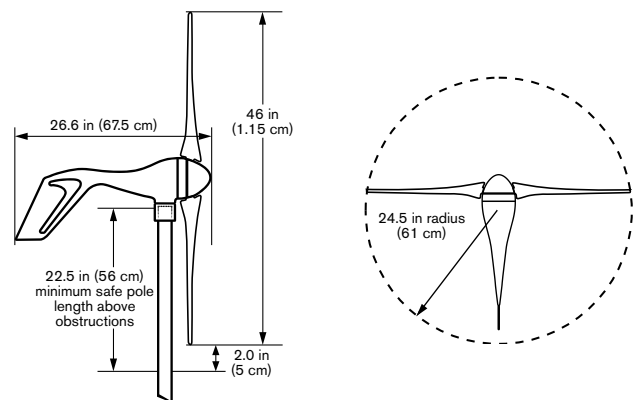
## MONTHLY ENERGY



Made in the USA

## Technical Specifications

<b>Rotor Diameter</b>	46 in (1.15 m)
<b>Weight</b>	13 lb (5.85 kg)
<b>Shipping Dimensions</b>	27 x 15 x 9 in (686 x 38 x 228 mm) 17 lb (7.7 kg)
<b>Mount</b>	1.5 in schedule 40 pipe 1.9 in (48.26 mm) OD
<b>Start-Up Wind Speed</b>	8 mph (3.58 m/s)
<b>Voltage</b>	12, 24, and 48 VDC
<b>Rated Power</b>	400 watts at 28 mph (12.5 m/s)
<b>Turbine Controller</b>	Microprocessor-based smart internal regulator with peak power tracking
<b>Body</b>	Cast aluminum (Marine is powder coated for corrosion protection)
<b>Blades</b>	3-Carbon fiber composite
<b>Overspeed Protection</b>	Electronic torque control
<b>Kilowatt Hours per Month</b>	38 kWh/mo at 12 mph (5.4 m/s)
<b>Survival Wind Speed</b>	110 mph (49.2 m/s)
<b>Warranty</b>	3 year limited warranty



## Southwest Windpower

1801 W. Route 66  
Flagstaff, AZ 86001 USA

928.779.9463  
www.windenergy.com



Makers of Skystream 3.7® / AIR / Whisper

Printed on recycled paper using vegetable inks.

# Air X

## Remote Power Solutions

The Air X brings versatility, efficiency and durability to remote wind power. With more than 90,000 units sold, Air X is the best-selling small wind generator in the world. Ideal for battery-charging applications, Air X is often used for remote homes, telecommunication towers, monitoring stations, and in areas of the developing world without electrical service.

